

Flow meter Insertion version Model FLC-2660

WIKA data sheet FL 20.09



Applications

- Water distribution monitoring
- Leakage detection systems
- Data acquisition and analysis

Special features

- Suitable for small pipes (80 ... 500 mm)
- No moving parts



Flow meter, model FLC-2660

Description

The model FLC-2660 flow meter is an efficient solution when low costs and good performance are needed. It is suitable for small pipes between 80 mm and 500 mm with a maximum pressure of 10 bar.

The measuring instrument is installed using a welded brass bushing on the flow tube. The model FLC-2660 is available in different lengths in order that it can be matched to different pipe diameters, thus offering a wide range of applications.

A WIKA signal converter, either attached directly to the instrument or separated from it (e.g. model FLC-608), detects the potential difference between the electrodes, processes the signal to calculate the flow and manages communication with the external control systems.

Specifications

Specifications	
Pipe diameter	80 ... 500 mm
Overall length	317 mm
Operating pressure	≤ 10 bar
Medium temperature	-40 ... +180 °C [-40 ... + 356 °F] (in separated version)
Materials	
Sensor housing	SS304
Junction box	Polyoxymethylene
Electrodes	SS316L
Ingress protection per EN 60529	IP68 (continuous immersion to 1.5 m) in separated version
Compatible signal converters	■ Model FLC-608 ■ Model FLC-406
Electrical connection	Cable gland M20 x 1.5, terminal block and sealing resin
Weight ¹⁾	Approx. 2 kg

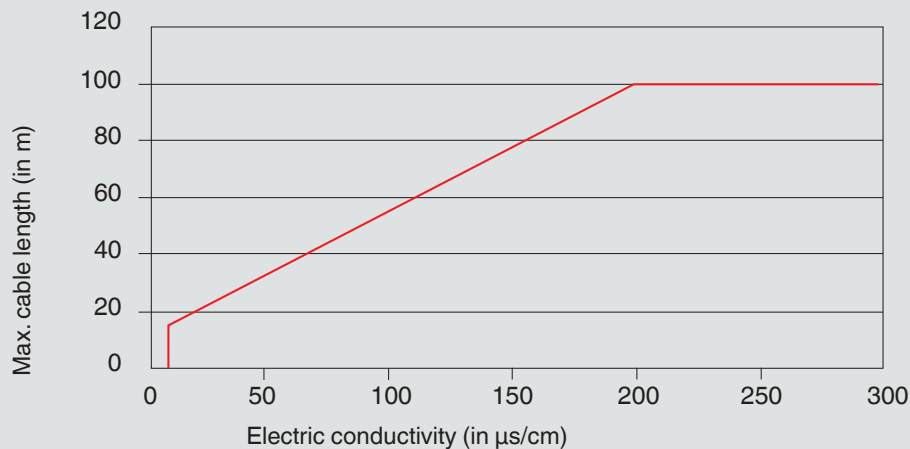
1) Max. weight in separated version, without cable

Calibration and maximum measuring deviation

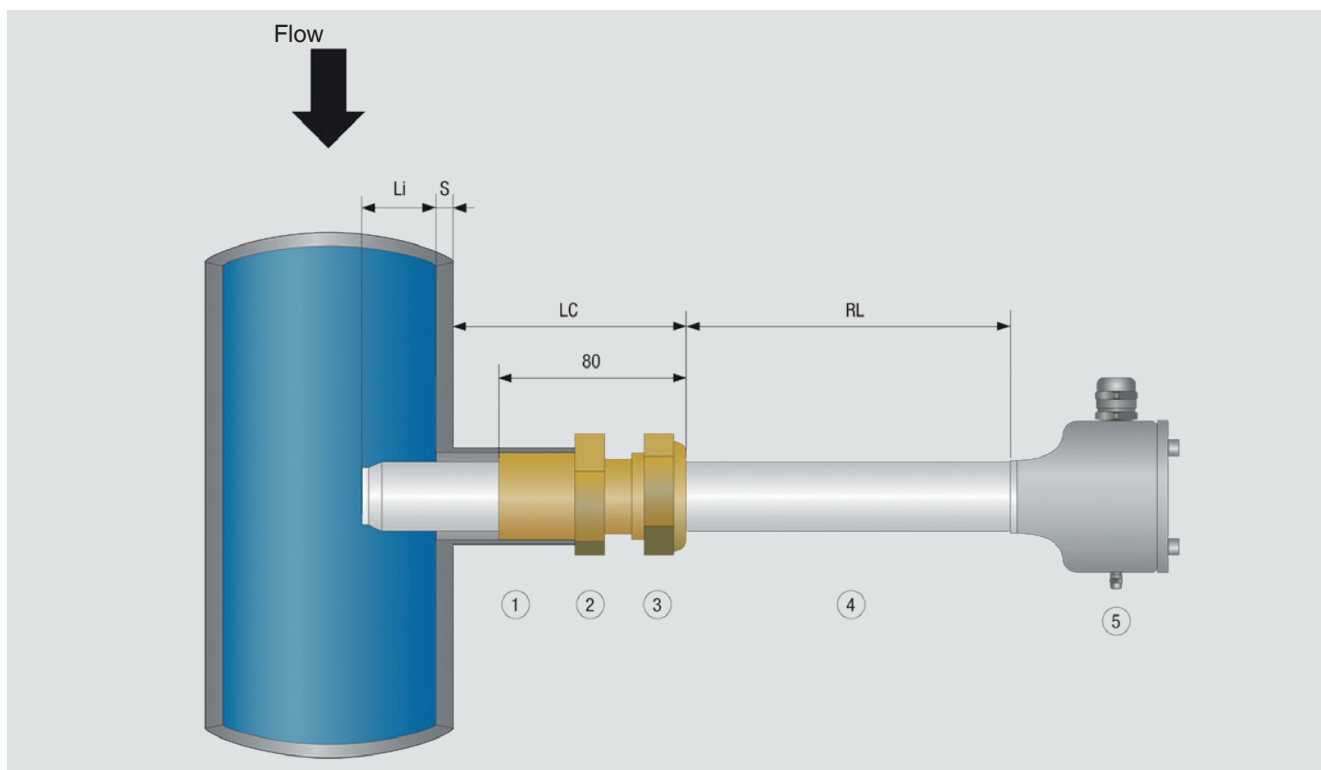
The model FLC-2660 sensors belong to reference group B1 (per ISO 11631). Each sensor is wet-calibrated on a hydraulic test bench which is fitted with a reference weighting system and is SIT-certified. With correct installation, the measurement accuracy is 3 % of the measured value at a flow velocity of more than 0.3 m/s.

Integration of the flow meter

The model FLC-2660 sensors can be combined with all WIKA signal converters. In the compact version, the signal converter is mounted directly on the junction box. In the separated version, the sensor is connected with the signal converter via two cables, whose length depends on the electric conductivity of the liquid. The maximum length of the cable is 100 m (see figure).






Dimensions in mm



Legend:

- 1 Coupling with 1 1/4" BSP/NPT female thread
 - 2 Fixing device with 1 1/4" BSP/NPT male thread
 - 3 Locking nut
 - 4 Sensor, model FLC-2660
 - 5 Junction box
- LC Length of the fixing device (after welding the bushing)
- RL Guide rod = Overall length - Li - S - LC
- Li Insertion length = $(De - 2S) / 8$

Approvals

Logo	Description	Country
	EU declaration of conformity	European Union
	EMC directive EN 61326 emission (group 1, class B) and immunity (industrial application)	
	Low voltage directive	
	ATEX directive (option for separated version)	International
	IECEx (option for separated version)	

Approvals and certificates, see website

© 07/2021 WIKA Alexander Wiegand SE & Co. KG, all rights reserved.
The specifications given in this document represent the state of engineering at the time of publishing.
We reserve the right to make modifications to the specifications and materials.



ICS Schneider Messtechnik GmbH
Briesestrasse 59
D-16562 Hohen Neuendorf / OT Bergfelde
Tel.: +49 3303 5040-66
Fax: +49 3303 5040-68
E-Mail: info@ics-schneider.de



WIKAL Alexander Wiegand SE & Co. KG
Alexander-Wiegand-Straße 30
63911 Klingenberg/Germany
Tel. +49 9372 132-0
Fax +49 9372 132-406
info@wika.de
www.wika.de